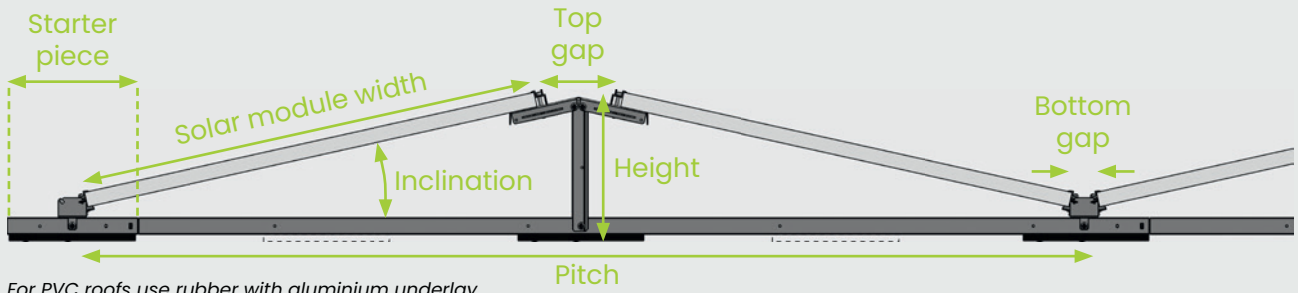


DATASHEET

SOLARSPEED
AVANTIS

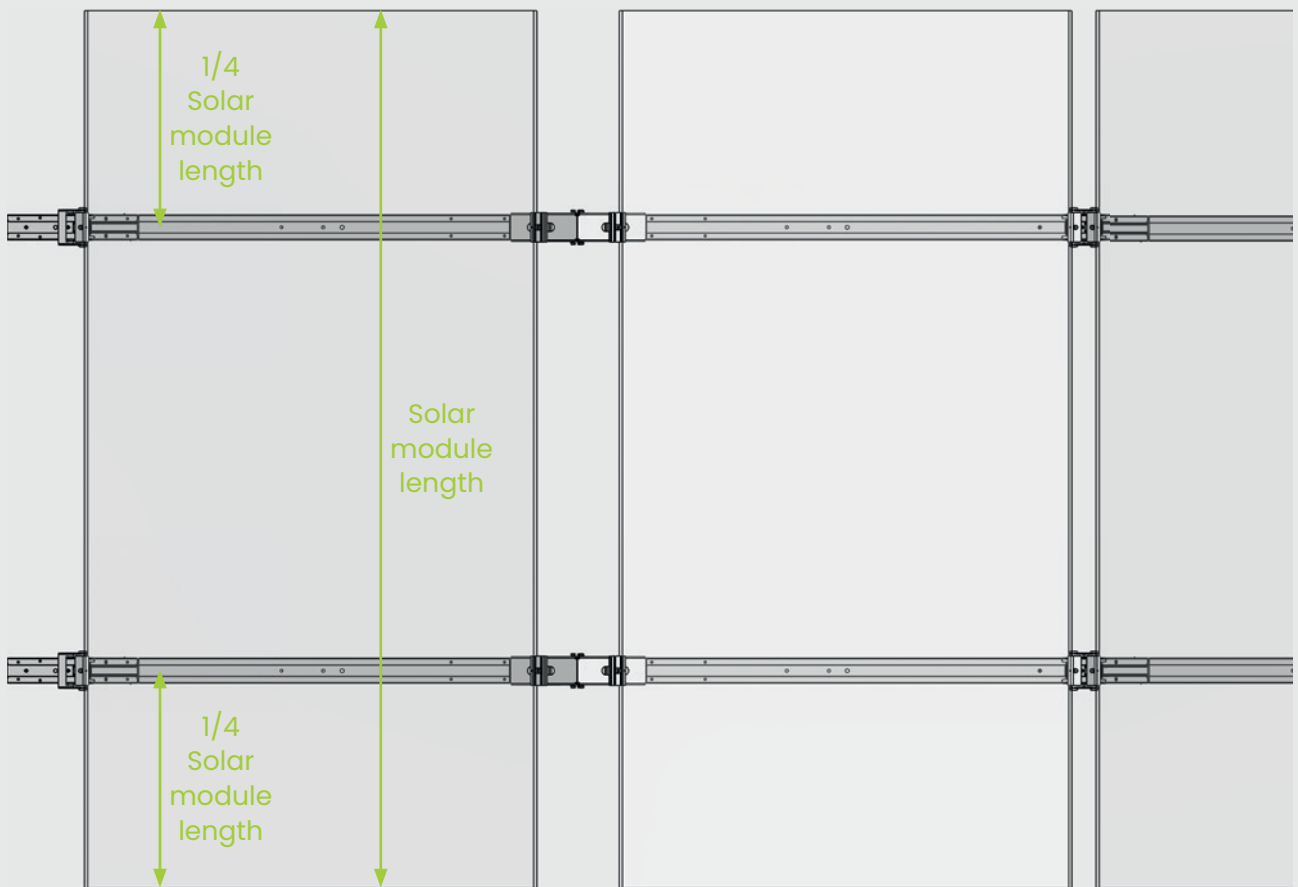
131224.ENG

SolarSpeed Avantis on rubber footing



For PVC roofs use rubber with aluminium underlay.

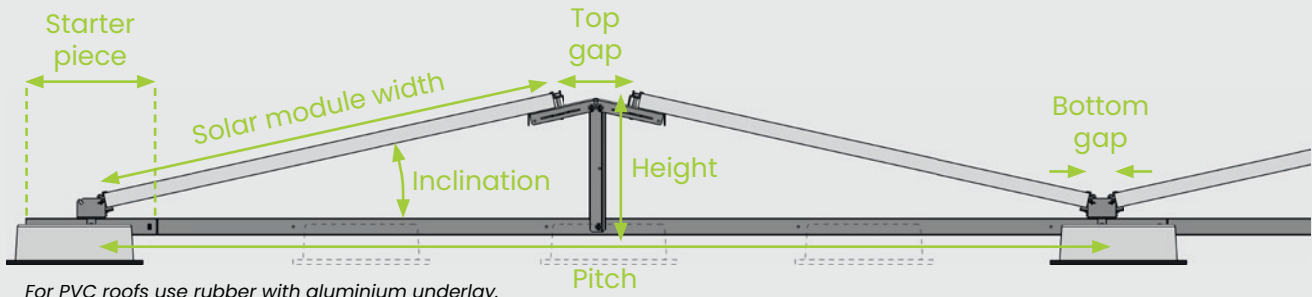
Solar module width [mm]	Pitch [mm]	Height [mm]
1096 ± 10	2413	350 ± 5
1134 ± 10	2488	360 ± 5
1303 ± 10	2817	400 ± 5



Solar module length [mm]
2093 ± 10
2278 ± 10
2384 ± 10

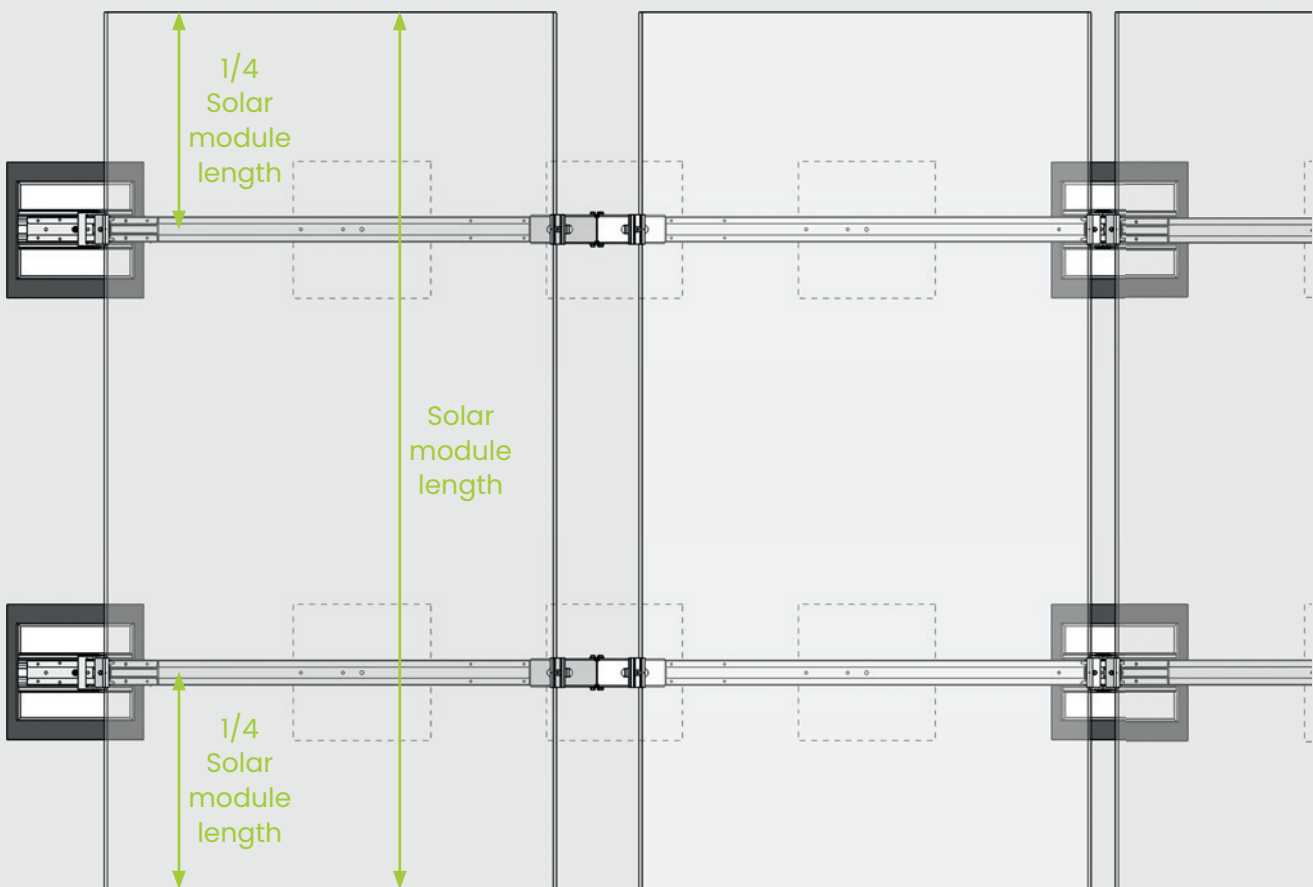
Top gap [mm]	200 ± 20
Bottom gap [mm]	73
Inclination [°]	12,5
Starter piece [mm]	310

SolarSpeed Avantis on concrete footing + rubber



For PVC roofs use rubber with aluminium underlay.

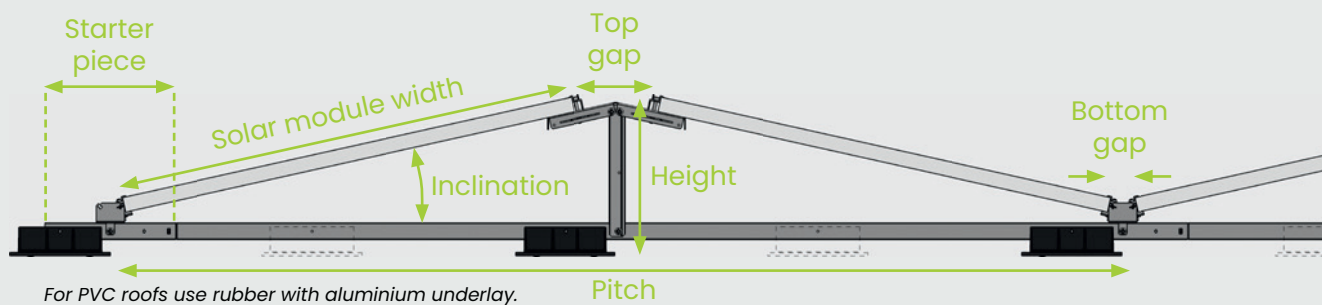
Solar module width [mm]	Pitch [mm]	Height [mm]
1096 ± 10	2413	405 ± 5
1134 ± 10	2488	415 ± 5
1303 ± 10	2817	455 ± 5



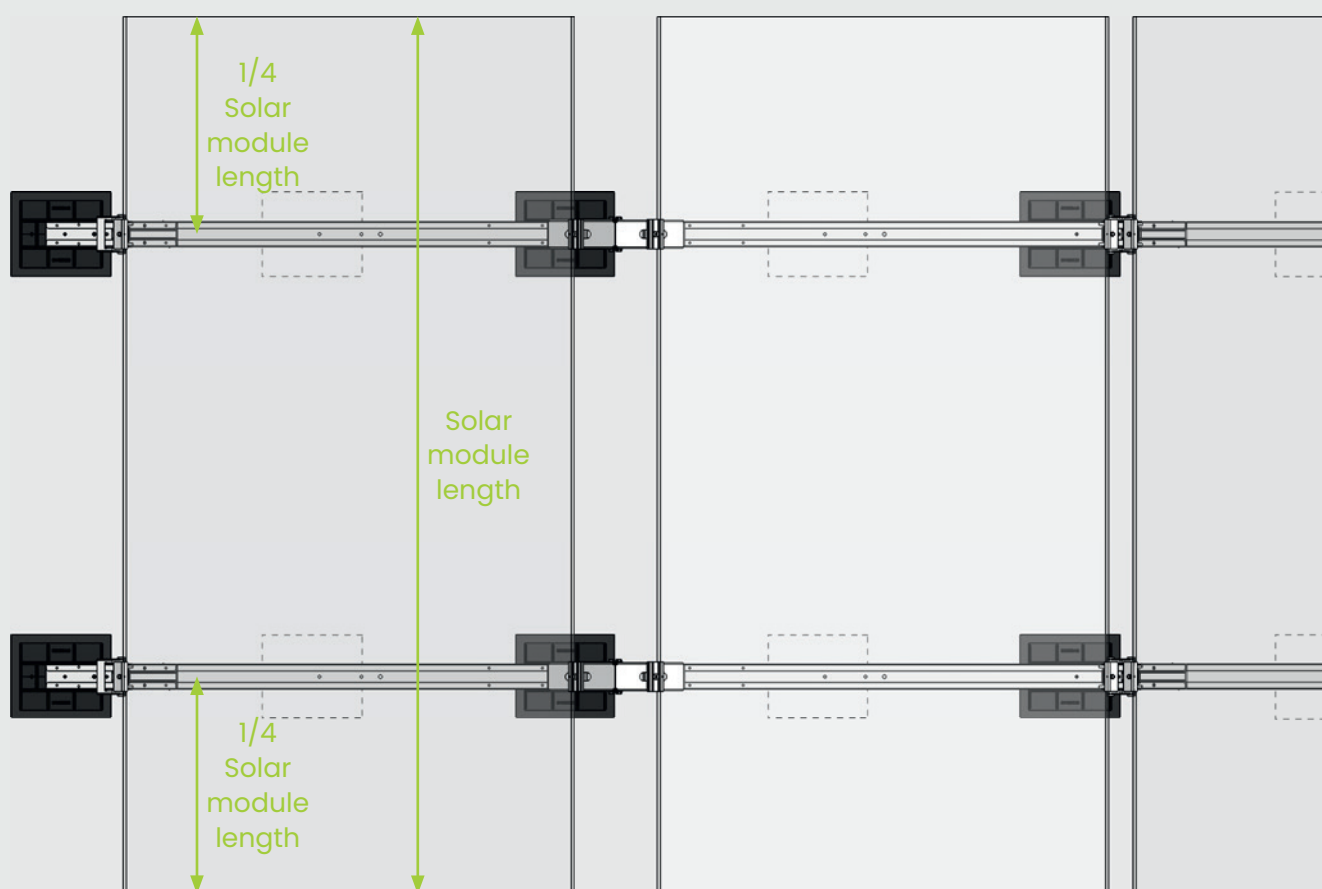
Solar module length [mm]
2093 ± 10
2278 ± 10
2384 ± 10

Top gap [mm]	200 ± 20
Bottom gap [mm]	73
Inclinacion [°]	12,5
Starter piece [mm]	310

SolarSpeed Avantis on PP footing + rubber



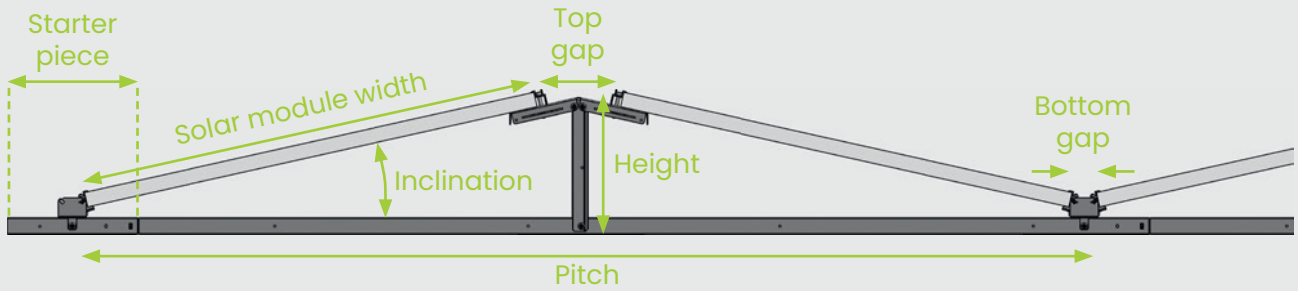
Solar module width [mm]	Pitch [mm]	Height [mm]
1096 ± 10	2413	373 ± 5
1134 ± 10	2488	383 ± 5
1303 ± 10	2817	423 ± 5



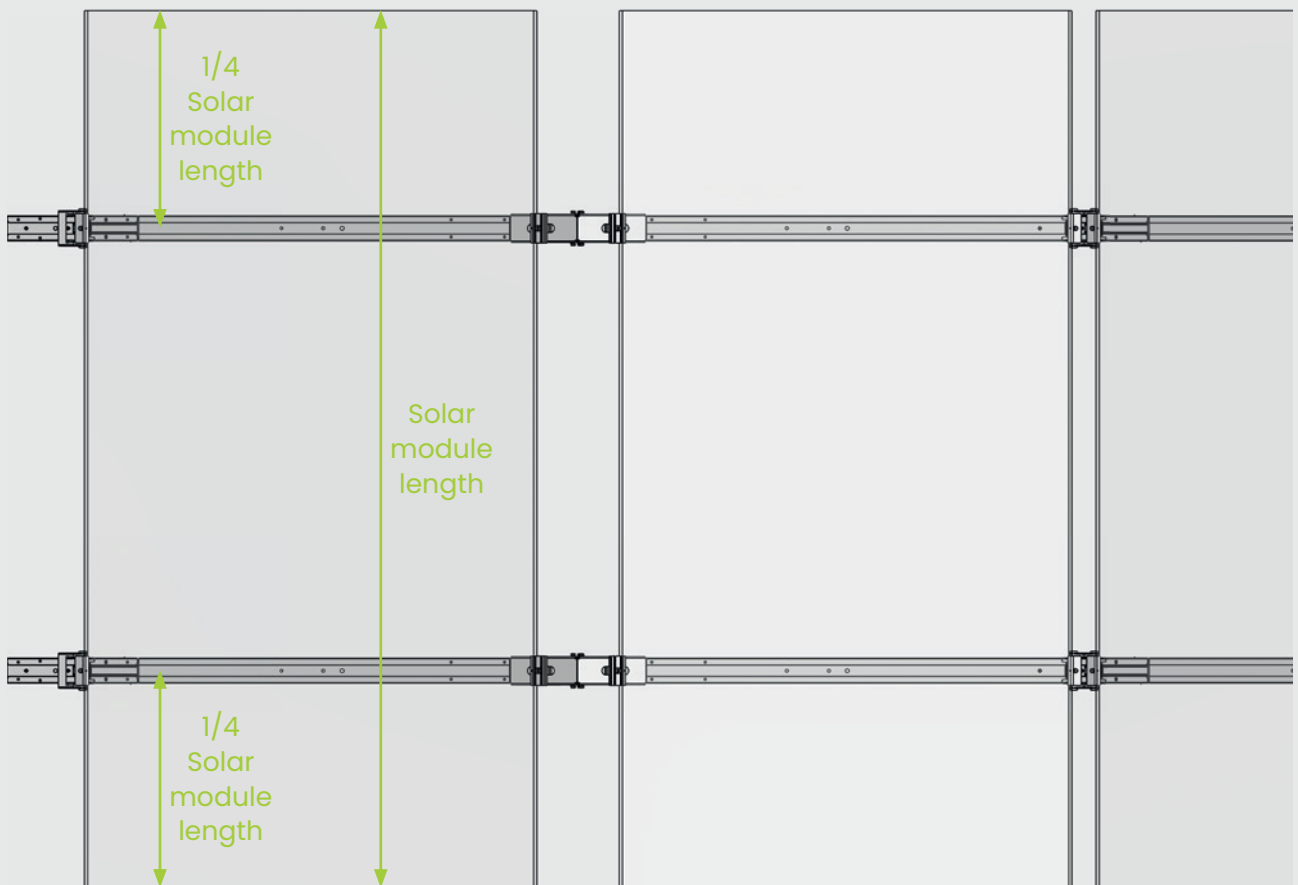
Solar module length [mm]
2093 ± 10
2278 ± 10
2384 ± 10

Top gap [mm]	200 ± 20
Bottom gap [mm]	73
Inclinacion [°]	12,5
Starter piece [mm]	310

SolarSpeed Avantis with omega bracket



Solar module width [mm]	Pitch [mm]	Height [mm]
1096 ± 10	2413	335 ± 5
1134 ± 10	2488	345 ± 5
1303 ± 10	2817	385 ± 5



Solar module length [mm]
2093 ± 10
2278 ± 10
2384 ± 10

Top gap [mm]	200 ± 20
Bottom gap [mm]	73
Inclination [°]	12,5
Starter piece [mm]	310